

DATA-SHEET

Ruthman R/RS 200

Key Features

- ✓ Compact travel height of 2.34m making it possible to get under very low bridges/height restrictions
- ✓ Auto set up technology making this machine incredibly easy to set up
- ✓ Basket is accessible via basket ladder, no step means less chance of accidental damage
- ✓ Up to 10.7m of outreach with up and over capacity makes this machine very diverse in its potential usage
- ✓ Cab doors can be opened with outriggers deployed on wide setting
- ✓ 250kg cage capacity meaning you can comfortably fit 2 guys and tools in the cage

Max. working height	20 m
Max. cage bottom height	18 m
Max. outreach*	10.7 m
Rotation angle of turntable	360°
Rotation angle of cage	+/- 80°
Rotation angle of cage arm	180°
Max. cage load	250 kg
Size of cage	1.3 x 0.70 m
Permissible inclination of platform	1°
Height in transport position*	2.34 m
Width in transport position	2.44 m
Overall length*	6.682 m
Wheelbase*	3.67 m
Total weight*	ca. 3500 kg

*Depends on truck chassis

01634 249976

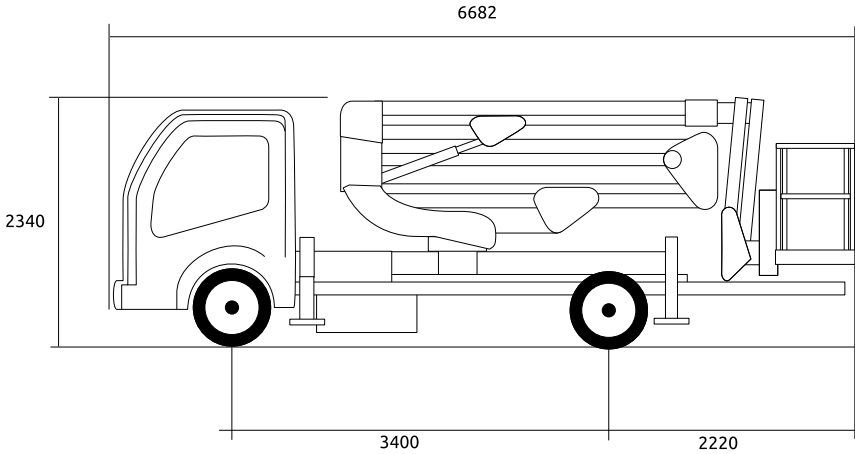
www.pgplatforms.co.uk

info@pgplatforms.co.uk

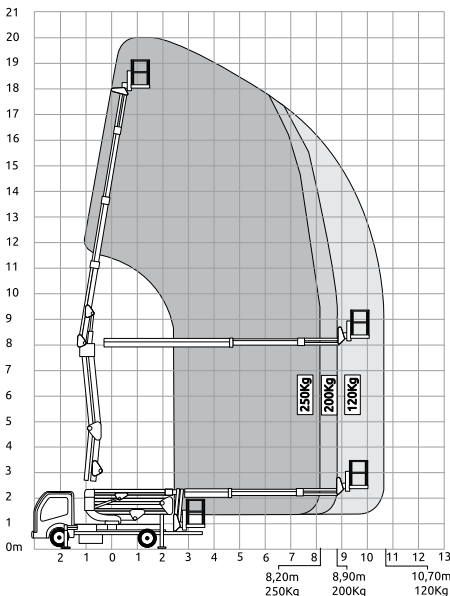
PG PLATFORMS
"Cutting the cost of going up"



Ruthman R/RS 200



Working Envelope



All measurements and weights are approximate and refer to the standard basic execution. Technical alterations reserved.

35 YEARS OF TRADE EXPERIENCE

Based in Kent, within touching distance of London, PG Platforms offer 4 decades of expertise in all aspects of Powered access hire. With a wide range of machines; scissor lifts, self-propelled booms, tracked machines, scissor lifts, self-propelled booms, vehicle mounts and spider lifts; PG Platforms are sure to have a solution for your working at height requirements.

- ✓ SCISSOR LIFTS
- ✓ SELF PROPELLED BOOMS
- ✓ TRACKED MACHINES
- ✓ WELFARE VANS
- ✓ VAN MOUNTS
- ✓ TRUCK MOUNTS



 info@pgplatforms.co.uk

 www.pgplatforms.co.uk

 01634 249976

 **Head office:** The Brook, Mid Kent Business Park, Sortmill Road, Snodland, Kent ME6 5UA

PG PLATFORMS
"Cutting the cost of going up"