

## DATA-SHEET

# Multitel MJ 201

### Key Features

- ✓ Auto level set up
- ✓ Variable outrigger set up, Narrow or wide jacked on either side
- ✓ Up to 12.6m of outreach of the side
- ✓ Automatic centering when stowing the boom, making it a lot easier to properly and stow the machine when finished works

Max. working height	20.1 m
Max. cage bottom height	18 m
Max. outreach*	9.8 m (225kg) 12.6 m (80kg)
Rotation angle of turntable	400°
Rotation angle of cage	2x90°
Rotation angle of cage arm	85°
Max. cage load	225 kg
Size of cage	1.40 x 0.70 x 1.10 m
Permissible inclination of platform	°
Height in transport position*	2.995 m
Width in transport position	2.050 m
Overall length*	6.650 m
Wheelbase*	3665 mm
Total weight*	ca. 3500 kg

\*Depends on truck chassis



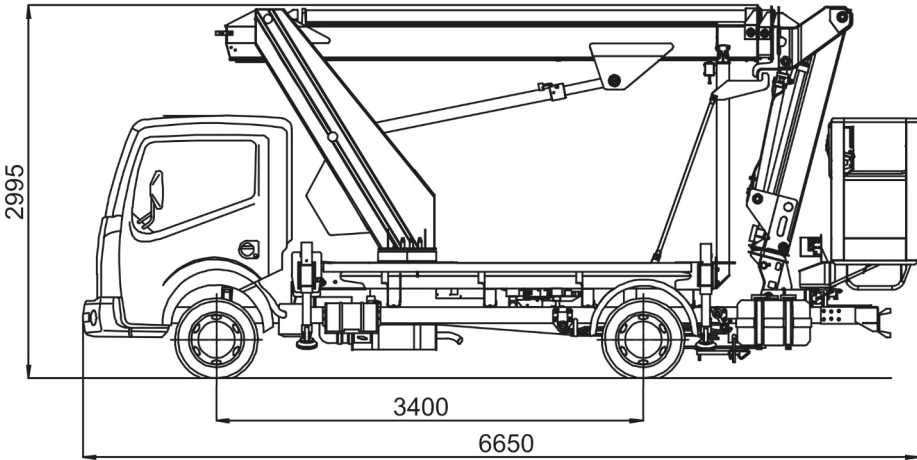
01634 249976

[www.pgplatforms.co.uk](http://www.pgplatforms.co.uk)

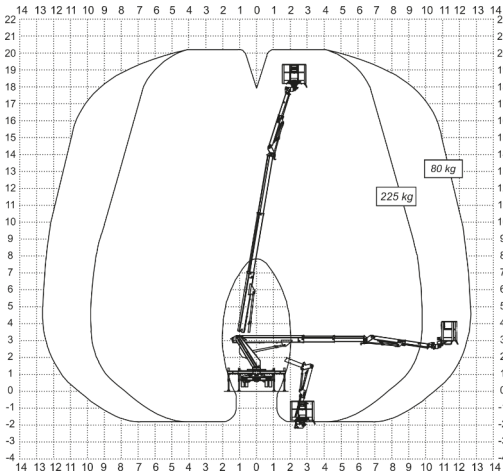
[info@pgplatforms.co.uk](mailto:info@pgplatforms.co.uk)

**PG PLATFORMS**  
"Cutting the cost of going up"

# Multitel MJ 201



## Working Envelope



## 35 YEARS OF TRADE EXPERIENCE

Based in Kent, within touching distance of London, PG Platforms offer 4 decades of expertise in all aspects of Powered access hire. With a wide range of machines; scissor lifts, self-propelled booms, vehicle mounts and spider lifts; PG Platforms are sure to have a solution for your working at height requirements.

- ✓ SCISSOR LIFTS
- ✓ SELF PROPELLED BOOMS
- ✓ TRACKED MACHINES
- ✓ WELFARE VANS
- ✓ VAN MOUNTS
- ✓ TRUCK MOUNTS



info@pgplatforms.co.uk



www.pgplatforms.co.uk



01634 249976



**Head office:** The Brook, Mid Kent Business Park, Sortmill Road, Snodland, Kent ME6 5UA

All measurements and weights are approximate and refer to the standard basic execution. Technical alterations reserved.

**PG PLATFORMS**  
"Cutting the cost of going up"