

 DATA-SHEET

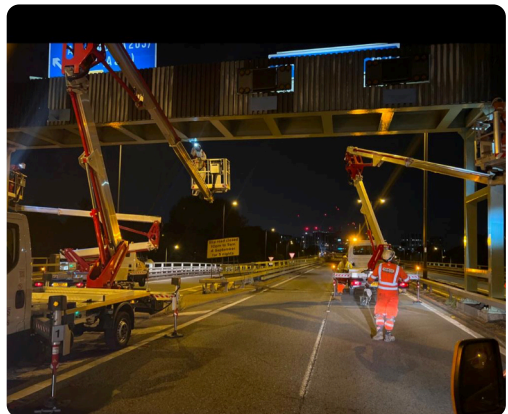
MULTITEL HX200EX


Key Features

- ✓ Maximum outreach of 9.6m achievable with safe working load of 225kg in the cage at an up and over height of 9m
- ✓ Fully hydraulic set up, making it very easy to set up and use for self drive customers
- ✓ Hydraulic controls means less delay in operation so smoother and quicker ability to work
- ✓ Ability to get into tighter places due to closed height of 2.6m and width of 1.9m
- ✓ System tells you when you are in line with the dock making this machine much easier to pack away

Max. working height	19.9 m
Max. cage bottom height	17.9 m
Max. outreach*	9.6m
Rotation angle of turntable	380°
Rotation angle of cage	65°+65°
Max. cage load	225 kg
Size of cage	1.4 x 0.70 x 1.1m
Permissible inclination of platform	6°
Height in transport position*	2.60 m
Width in transport position	1.9 m
Overall length*	7.50 m
Wheelbase*	3.75 m
Total weight*	ca. 3500 kg

*Depends on truck chassis



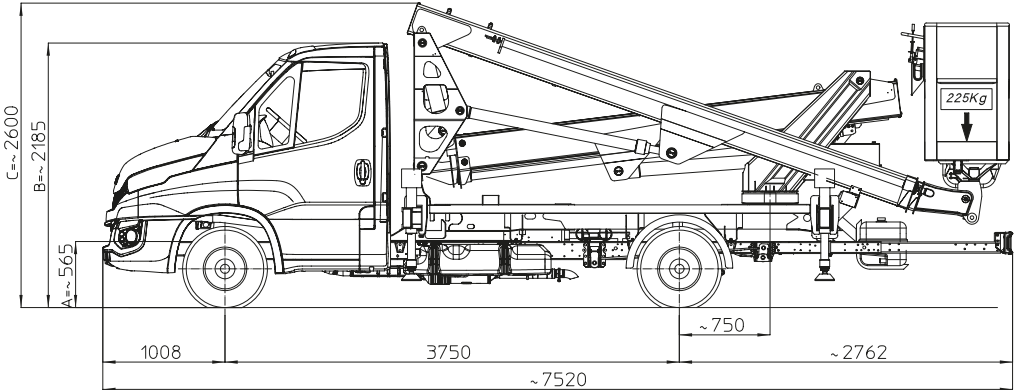
 01634 249976

 www.pgplatforms.co.uk

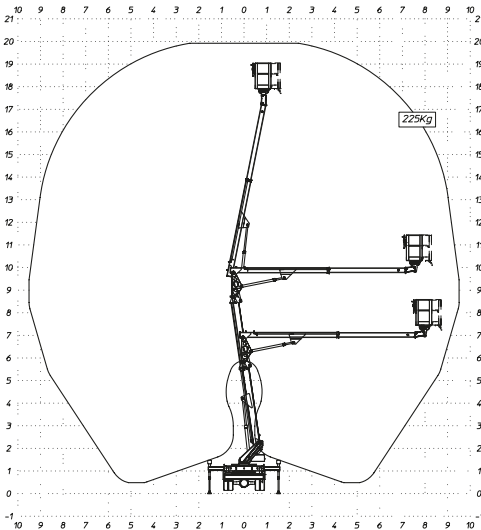
 info@pgplatforms.co.uk

PG PLATFORMS
"Cutting the cost of going up"

MULTITEL HX200EX



Working Envelope



35 YEARS OF TRADE EXPERIENCE


Based in Kent, within touching distance of London, PG Platforms offer 4 decades of expertise in all aspects of Powered access hire. With a wide range of machines; scissor lifts, self-propelled booms, tracked machines, welfare vans, vehicle mounts and spider lifts; PG Platforms are sure to have a solution for your working at height requirements.

- ✓ SCISSOR LIFTS
- ✓ SELF PROPELLED BOOMS
- ✓ TRACKED MACHINES
- ✓ WELFARE VANS
- ✓ VAN MOUNTS
- ✓ TRUCK MOUNTS



 info@pgplatforms.co.uk

 www.pgplatforms.co.uk

 01634 249976

 **Head office:** The Brook, Mid Kent Business Park, Sortmill Road, Snodland, Kent ME6 5UA

All measurements and weights are approximate and refer to the standard basic execution. Technical alterations reserved.

PG PLATFORMS
"Cutting the cost of going up"