

## DATA-SHEET

# Ascendant A18-13TJ

### Key Features

- ✓ Variable jacking, can either set up narrow, fully out or out to one side
- ✓ Impressive 13m outreach with any weight in cage up to SWL of 230kg
- ✓ Fully hydraulic controls making it extremely easy to use
- ✓ 180 degree rotating cage

Max. working height	18 m
Max. cage bottom height	16 m
Max. outreach*	13 m
Rotation angle of turntable	360°
Rotation angle of cage	180°
Rotation angle of cage arm	125°
Max. cage load	230 kg
Size of cage	1.40 x 0.70 x 1.10 m
Permissible inclination of platform	?°
Height in transport position*	3.010 m
Width in transport position	2.000 m
Overall length*	7.464 m
Wheelbase*	3400 mm
Total weight*	ca. 3300 kg

\*Depends on truck chassis



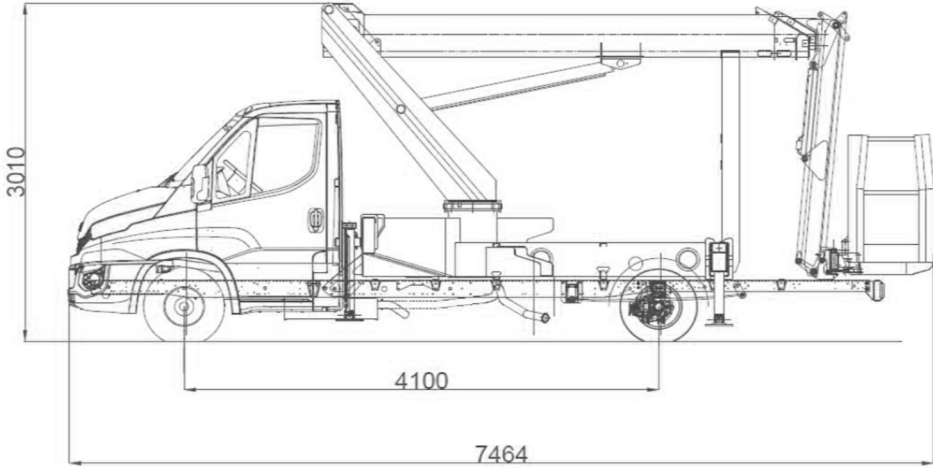
01634 249976

[www.pgplatforms.co.uk](http://www.pgplatforms.co.uk)

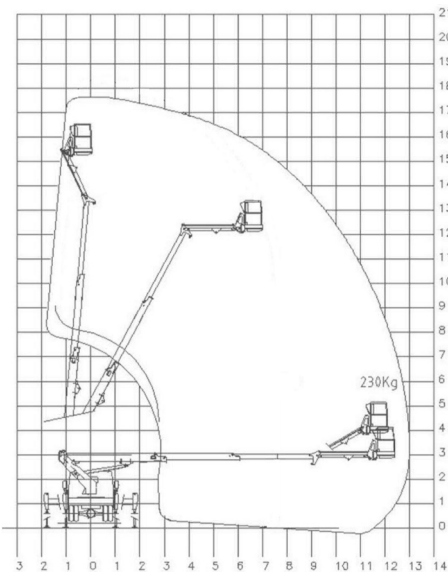
[info@pgplatforms.co.uk](mailto:info@pgplatforms.co.uk)

**PG PLATFORMS**  
"Cutting the cost of going up"

# Ascendant A18-13TJ



## Working Envelope



## 35 YEARS OF TRADE EXPERIENCE

Based in Kent, within touching distance of London, PG Platforms offer 4 decades of expertise in all aspects of Powered access hire. With a wide range of machines; scissor lifts, self-propelled booms, tracked machines; scissor lifts, self-propelled booms, vehicle mounts and spider lifts; PG Platforms are sure to have a solution for your working at height requirements.

- ✓ SCISSOR LIFTS
- ✓ SELF PROPELLED BOOMS
- ✓ TRACKED MACHINES
- ✓ WELFARE VANS
- ✓ VAN MOUNTS
- ✓ TRUCK MOUNTS



info@pgplatforms.co.uk



www.pgplatforms.co.uk



01634 249976



**Head office:** The Brook, Mid Kent Business Park, Sortmill Road, Snodland, Kent ME6 5UA

All measurements and weights are approximate and refer to the standard basic execution. Technical alterations reserved.

**PG PLATFORMS**  
"Cutting the cost of going up"