

LIGHTLIFT 33.17

PERFORMANCE **MS**

Working height
32,50 m

Horizontal working outreach
16,50 m

Up & over
17 m

Stowed height less than
2 m

230kg
Capacity



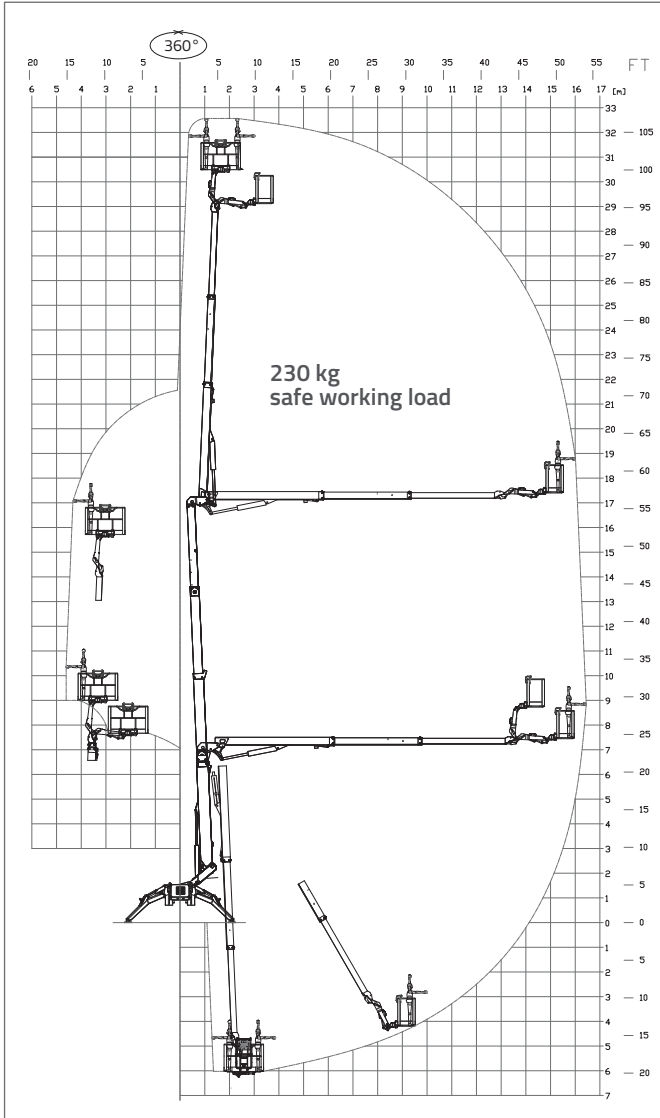
www.hinowa.com

LIGHTLIFT 33.17

PERFORMANCE III S

www.hinowa.com

PREVIEW



32,50 m



16,50 m



6,50 m



5,98 m



1,98 m



1600x700xh.1100 mm



16° / 28,7%



7480 kg / 16490 lb



Diesel Kubota D902 Autorev system
21,6CV 3600rpm



230V / 50 Hz - 2,2 kW
110V / 50 Hz - 2,2 kW



Widening undercarriage:
1200-1600 mm



1 - 1,8 Km/h



Double stabilization area:
▪ wide 4200 x 4950 mm
▪ narrow 3000 x 6000 mm



Automatic outrigger set-up



Remote control



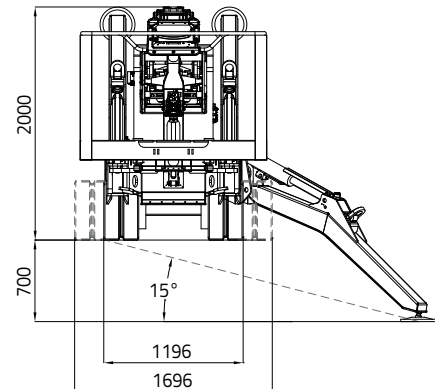
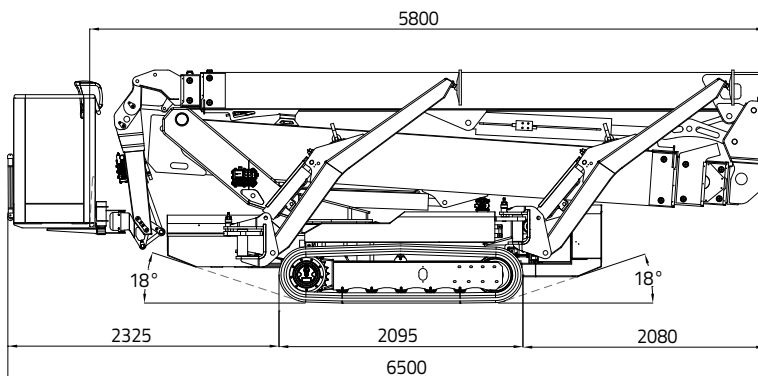
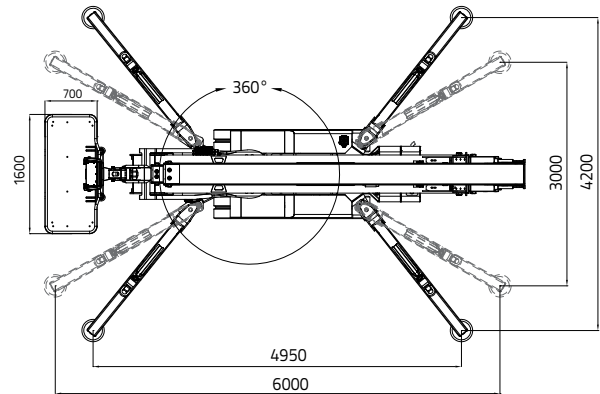
GPRS-GPS



R.A.H.M.



150Ah/76V
Optional



Hinowa is continually researching and developing products and reserves the right to make modifications without prior notice. All data in this document is indicative. Certain options or country standards will increase weight. Specifications may change to meet country standards or with the addition of optional equipment.